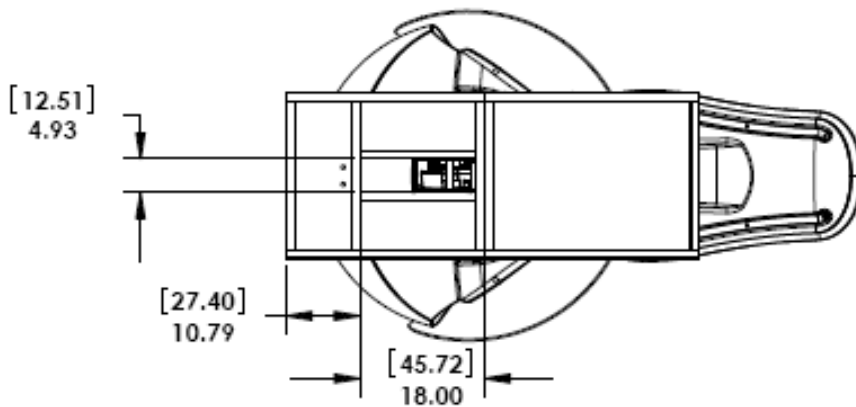
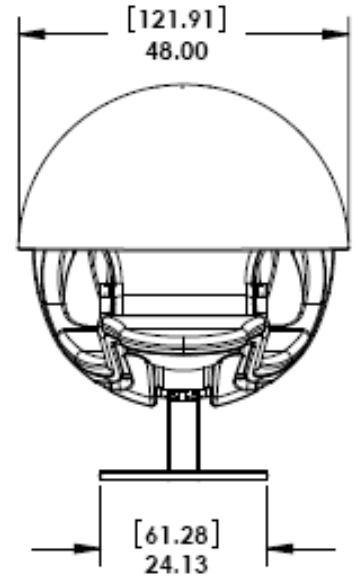
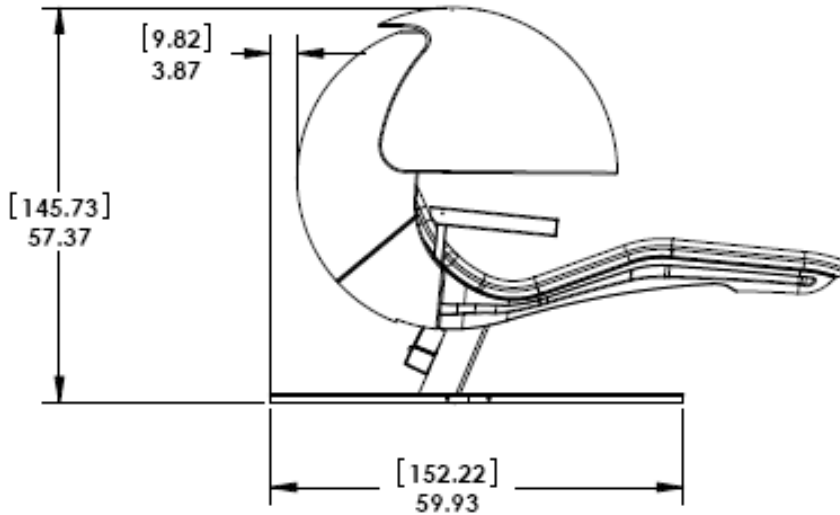
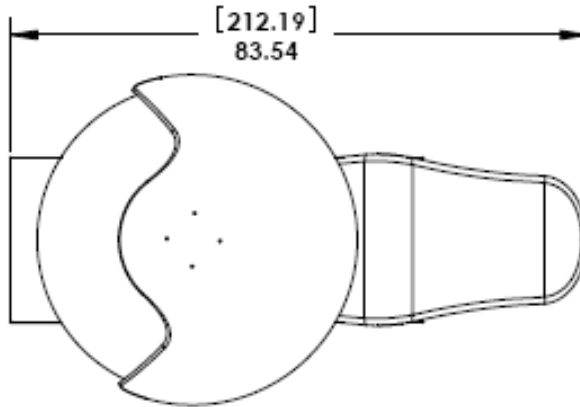




MetroNaps® EnergyPod® Technical Specifications

[centimeters], inches



Unit Weight:
140 kg./ 310 lbs.

Electrical

Input Voltage:
100-240V
(model dependent)

Maximum Draw:
~5 Amps

Power Consumption:
~40 watts

Internal Voltage:
12 Volts DC